



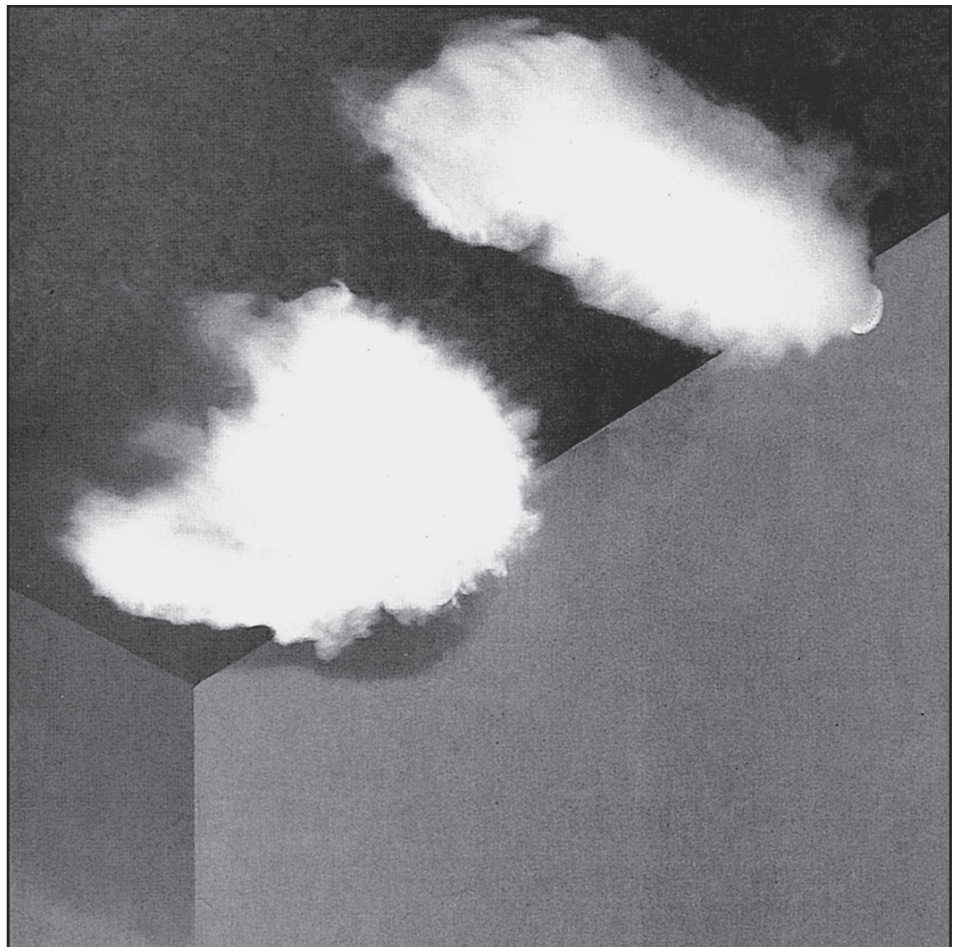
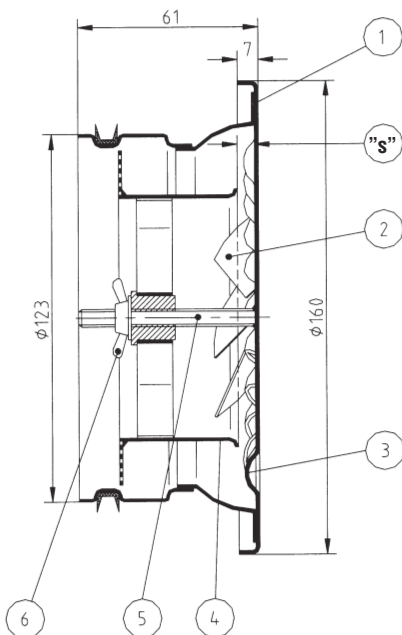
**Domestic diffuser  
WA 125**

### Application

The domestic diffuser WA 125 is designed for the introduction of supply air for housing applications. It is used as wall outlet for volume flow rates between 30 and 80 m<sup>3</sup>/h. Temperature differences of 6 K for cooling and heating can be handled.

### Construction

The domestic diffuser WA125 consists of a circular pressed diffusion plate (1) with a swirl diffuser (2) in central position which is surrounded by a nozzle ring (3). The adjusting ring (4) can be moved in axial direction on the fastening screw (5) so that it either rests on the back of the front plate or leaves a gap between front plate and the bottom edge of the ring. The butterfly screw (6) is used to lock the adjusting ring in position.



### Installation

The domestic diffuser is designed such that it is simply inserted into the already existing spirally wound or flexible ducting. The lip sealing at the inlet spigot guarantees leakproofness and firm position.

### Function

The supply air is introduced into the room in a horizontal pattern with a central swirling jet created by 6 swirl elements. Contrary to the axial direction of the swirling jet, the nozzle ring has a radial discharge characteristic.

The adjustment of the adjusting ring enables either a radial air pattern with large penetration depth or a fan-shaped air pattern with small penetration depth.

For larger penetration depths, the reference gauge *s* equals 0 and the adjusting ring rests on the back of the front plate.

For smaller penetration depths, the *s* gauge is adjusted between 2 and 8 mm, depending on the required penetration depth.

The company reserves the right of design change without notice.